

MANUAL REMOTE CONTROLS

Mechanical systems for ventilation



The Mec Line mechanical systems for the window remote control are super-tested, reliable, economical, easy and quick to install.

The products are constantly improved thanks to the greatest experience in the window manual controls field.

The movement transmission from the control operator to the opening mechanism is effected by a steel helical cable which runs inside a steel conduit.

The installation must be carried out in order to allow the cable working in pull action during the load operation (ex. in the closing phase for bottom hinged windows and in the opening phase for top hinged windows).

Every system has to be provided with the following items:

- CONTROL OPERATOR, flat, mini, simple, concealed and geared operator.
- TRANSMISSION ELEMENTS: cable, conduit, connectors, saddles, lock springs, end plugs.
- OPENING MECHANISM, chain openers, forks and locking openers for bottom hinged windows.

To open no more than one window with one control operator, the previous items are also contained all together in the "BRAVO" or in the "KIT for BOTTOM or TOP HINGED WINDOWS".

In case of installations with more than one locking opener or fork, rotary junction boxes are required (see TRANSMISSION ELEMENTS section).

For a right installation the tool for conduit preparation and the conduit bender are very useful (see TRANSMISSION ELEMENTS section).

For further information regarding the installation of the Mec Line product, please ask for the installation manual.

⚠ The instructions for a safe installation are included in the section "SECURITY WARNINGS"

SPECIFICATION PROSPECTS

The Mec Line mechanical systems for the windows remote control made by Ultraflex Control Systems is composed by the following items:

- Control operators with painted steel handle named: FLAT, CONCEALED, MINI, SIMPLE AND GEARED OPERATOR.
- Transmission line formed by a steel helical cable running inside a steel conduit externally coated in PVC with an internal antifriction polyethylene tube. Other accessories allow a correct installation.
- Chain opening mechanisms both for top and bottom hinged windows with painted or anodized aluminium casing; available stroke 250 and 380 mm.
- Steel forks and swivel 250 mm stroke for sun louvre blades.
- Painted aluminium locking openers for bottom hinged windows, maximum stroke 250 mm.

It's possible to find the most appropriate opening mechanism and handle operator for the required system, referring to the following charts.

OPENING MECHANISM SELECTION

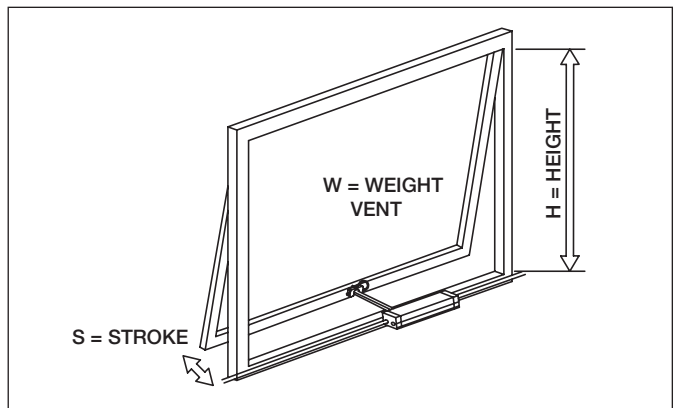
WINDOW TYPE	ADVISED MECHANISM	
	 Chain mechanism	 Cat
	 Chain mechanism	 Cat
	 Chain mechanism	 Locking opener

WINDOW TYPE	ADVISED MECHANISM	
	 Telescopic spindle	 Cat
	 Fork	
	 Fork	

CONTROL OPERATOR SELECTION

Following charts refer to accurate installation, executed with our tools, with only one 90° bend of the conduit and with no rotary junction box included; the wind load has not been considered. Every additional bend or rotary junction box has to be counted as an additional window. For intermediate window heights refer to the directly lower height; in case of window lower than 750 mm it is necessary to reduce the actuator stroke to 1/3 of the window height. For windows with four-bar hinges the calculation of the necessary force depends on the hinge model. Please contact our Technical Dpt. for any specific application.

THESE SELECTION GUIDES HAVE TO BE CONSIDERED AS A GENERAL DIRECTION AND MUST BE CHECKED BY THE INSTALLER. FOR ANY SPECIFIC APPLICATION, PLEASE CONTACT OUR TECHNICAL DEPT.



S = Stroke 250 mm

H WINDOWS	No.	WEIGHT OF THE WINDOW (Kg)									
		10	15	20	25	30	35	40	45	50	60
750 - 1150	1	■	■	■	■	■	■	■	■	■	■
	2	■	■	■	■	■	■	■	■	■	■
	3	■	■	■	■	■	■	■	■	■	■
	4	■	■	■	■	■	■	■	■	■	■
	5	■	■	■	■	■	■	■	■	■	■
	6	■	■	■	■	■	■	■	■	■	■
	7	■	■	■	■	■	■	■	■	■	■
1151 - 1400	1	■	■	■	■	■	■	■	■	■	■
	2	■	■	■	■	■	■	■	■	■	■
	3	■	■	■	■	■	■	■	■	■	■
	4	■	■	■	■	■	■	■	■	■	■
	5	■	■	■	■	■	■	■	■	■	■
	6	■	■	■	■	■	■	■	■	■	■
	7	■	■	■	■	■	■	■	■	■	■
1401 - 1600	1	■	■	■	■	■	■	■	■	■	■
	2	■	■	■	■	■	■	■	■	■	■
	3	■	■	■	■	■	■	■	■	■	■
	4	■	■	■	■	■	■	■	■	■	■
	5	■	■	■	■	■	■	■	■	■	■
	6	■	■	■	■	■	■	■	■	■	■
	7	■	■	■	■	■	■	■	■	■	■

S = Stroke 380 mm

H WINDOWS	No.	WEIGHT OF THE WINDOW (Kg)									
		10	15	20	25	30	35	40	45	50	60
1150 - 1400	1	■	■	■	■	■	■	■	■	■	■
	2	■	■	■	■	■	■	■	■	■	■
	3	■	■	■	■	■	■	■	■	■	■
	4	■	■	■	■	■	■	■	■	■	■
	5	■	■	■	■	■	■	■	■	■	■
	6	■	■	■	■	■	■	■	■	■	■
	7	■	■	■	■	■	■	■	■	■	■
1401 - 1600	1	■	■	■	■	■	■	■	■	■	■
	2	■	■	■	■	■	■	■	■	■	■
	3	■	■	■	■	■	■	■	■	■	■
	4	■	■	■	■	■	■	■	■	■	■
	5	■	■	■	■	■	■	■	■	■	■
	6	■	■	■	■	■	■	■	■	■	■
	7	■	■	■	■	■	■	■	■	■	■

No.=No.windows+No.rotary junction boxes+No.bends (over 1)

- FLAT OPERATOR
- SIMPLE, MINI, CONCEALED OPERATOR
- GEARED OPERATOR