

# ULYSSES

Linear spindle actuator - Force in push action 650 N - Stroke 180 and 300 mm



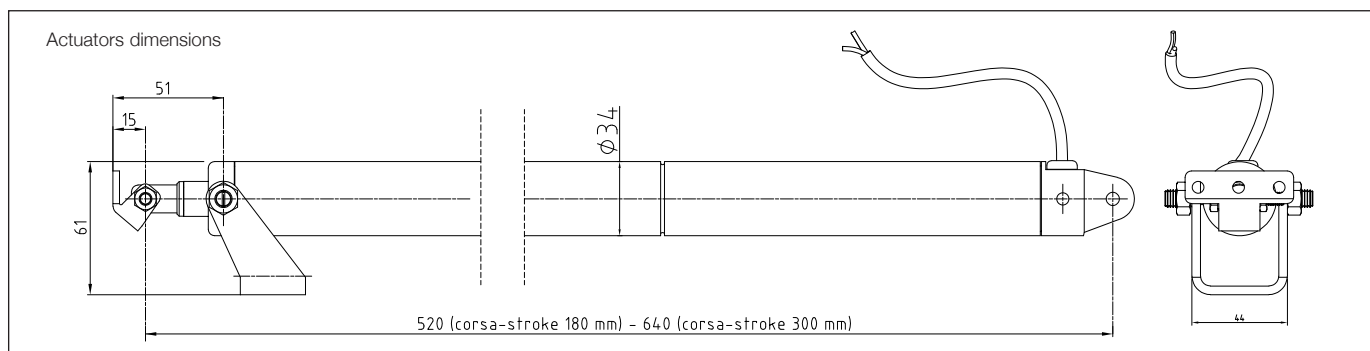
ULYSSES RWA version

## MAIN FEATURES

- Minimum size: external diameter 34 mm
- Load transmission by rigid spindle
- Particularity indicated to operate sun blades
- High protection from atmospheric agents (IP65)
- Supplied with steel end bracket and connector. Front or back fixing possibility.
- Aluminum back bracket to be ordered separately part No. 35697P
- A kit to reduce the stroke is available part No. 40735V
- Special triangular brackets and magnetic locking device available for installation on SHEV



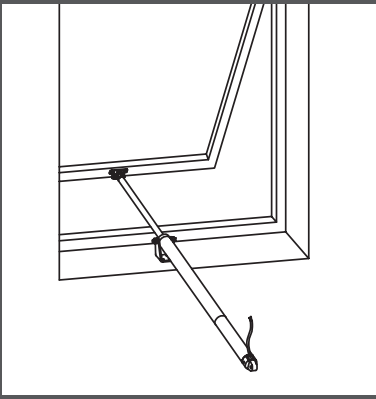
Special version Ulysses RWA with all external parts in aluminum suitable for installation on **Smoke and Heat Exhaust Ventilators (SHEV)** in conformity to standard **EN 12101-2** and tested by Istituto Giordano.



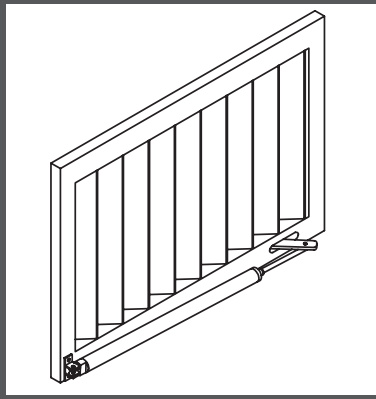
VOLTAGE SUPPLY	24 Vdc $\pm$ 10%
ELECTRIC CONNECTION	2 wires
OPERATION	by polarity inversion
STROKE	180/300 mm
FORCE (in push and pull action)	650 N
SPEED	6 mm/s
CURRENT ABSORPTION (with max load)	$\sim$ 1 A
PARALLEL CONNECTION	Yes
LIMIT STOP	Electronic
PROTECTION CLASS	IP65

PART No.	Stroke 180 mm	Stroke 300 mm
ULYSSES (40234E and 40252G included)	40759Z	40760A
ULYSSES RWA (brackets not included)	41767F	41718I

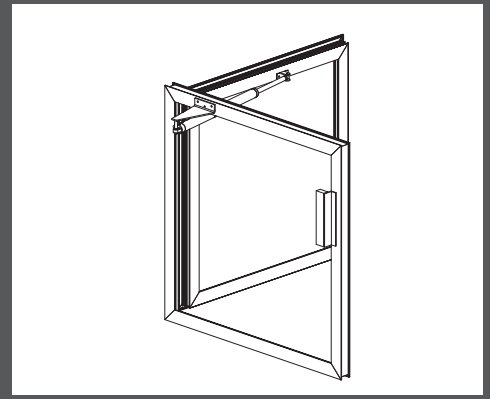
## Installation examples



On top hinged window with windowsill with end bracket included



Installation on vertical sun blades with back fixing bracket part No. 35697P



Installation on 90 degrees opening SHEV (side hung windows open inwards or outwards) using triangular brackets, front stainless steel connector and magnetic locking device.



On dome with fixing end bracket included



On horizontal louvre with back fixing



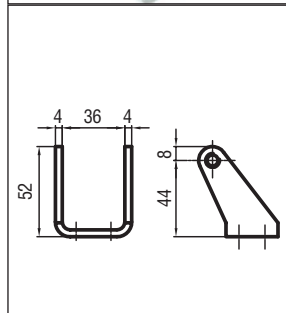
Magnetic locking device available in case of installation on SHEV, part No. 41925G (brackets not included part No. 41926H)

**⚠** The instructions for a safe installation are included in the section "SECURITY WARNINGS"

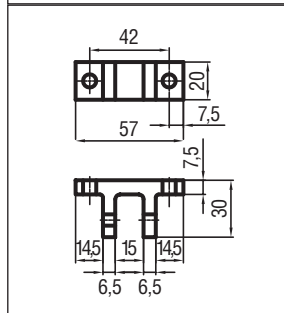
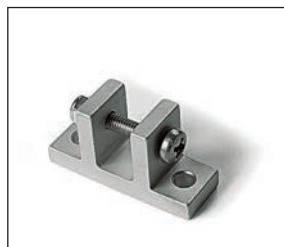
### SPECIFICATION PROSPECTS

Electric linear actuator Ultraflex Control Systems named Ulysses - Load transmission by rigid spindle, stroke 180 mm or 300 mm, external diameter 34 mm, fixing bracket included. Force 650 N. Protection class IP 65. Voltage supply 24 Vdc. Parallel connection. Electronic safety limit stop. Casing in silver anodized.

### Accessories



Steel end bracket included (not included in RWA version) part No. 40234E



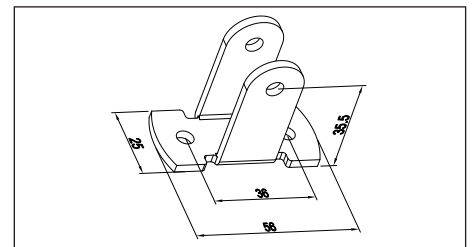
Aluminium back bracket part No. 35697P



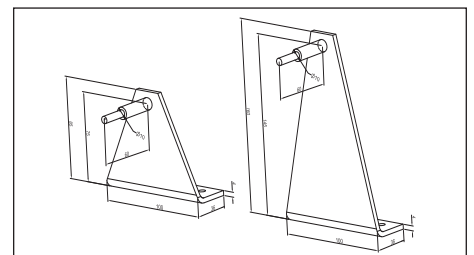
Kit to reduce the stroke part No. 40735V



Galvanized steel connector kit to fix the spindle on the vent (not included in RWA version) part No. 40252G



Front stainless steel connector part No. 41927I



Short triangular bracket (75,5 mm) part No. 41924F  
Long triangular bracket (145 mm) part No. 41923E