

MAX

Linear spindle actuator - Force in push action 450 N with stroke 180 mm and 300 mm and 350 N with stroke 500 mm



Kit to reduce the stroke
part No. 40921N

Two holes for versatile
installation of the sliding bracket

MAIN FEATURES

- Load transmission by rigid spindle.
- Supplied with 1 m cable.
- Not suitable for outdoor application. In this case, a special version is available on request: Max WP-specific installation guide to follow

VERSIONS

- With end bracket and adjustable eyelet for an easier installation.
- With sliding bracket and fixed eyelet: for easier installation also on window with windowsills or other internal obstacles, the sliding bracket can be fixed on the whole length of actuator, provided with two dovetail guides.

VOLTAGE SUPPLY	230 Vac \pm 10%
ELECTRIC CONNECTION	3 wires + earth
STROKE	180/300/500 mm
FORCE (push and pull action)	450 N (180 - 300 mm) / 350 N (500 mm*)
SPEED	~20 mm/s
CURRENT ABSORPTION (with max load)	0,7 A
PARALLEL CONNECTION	Yes
LIMIT STOP	Micro switches
SAFETY STOP	Thermic
IP PROTECTION	IP65

* if installed on top hinged windows the maximum force on push action is reduced to 300 N (for 180 and 300 mm stroke) and 230 N (for 500 mm). In case of installation on heavy top hinged windows, contact our Tech. Dept.

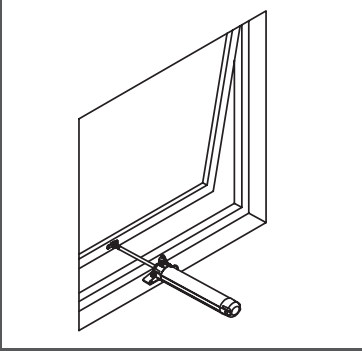
PART No.	Stroke 180 mm	Stroke 300 mm	Stroke 500 mm
SILVER ANODIZED WITH END BRACKETS	41325R	40541N	40614P
SILVER ANODIZED WITH SLIDING BRACKETS (with fixed terminal)	-	40915Z	40929V

SPECIFICATION PROSPECTS

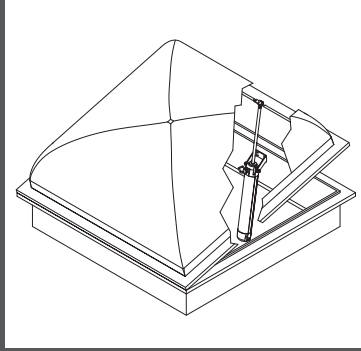
Electric Linear actuator Ultraflex Control Systems named Max with load transmission by rigid spindle, stroke 180, 300 or 500 mm fixing end bracket included. Force 450 N (350 N for stroke 500). Protection class IP65, Voltage supply 230 Vac. Limit stop by micro switches and thermal protection. Parallel connection. Casing in silver anodized, dark brown anodized.

Installation examples

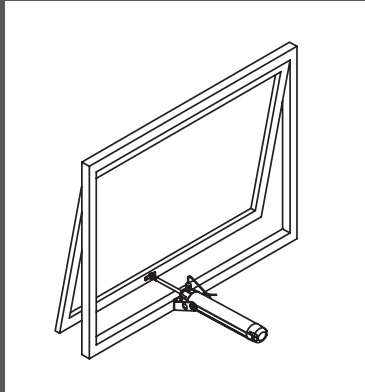
Outward



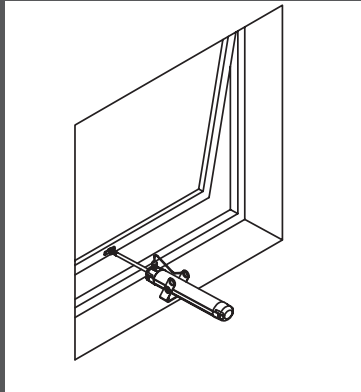
Installation on top hinged window with windowsill with fixing end bracket



Installation on dome with fixing end bracket



Installation on top hinged window without windowsill with fixing end bracket or with sliding bracket

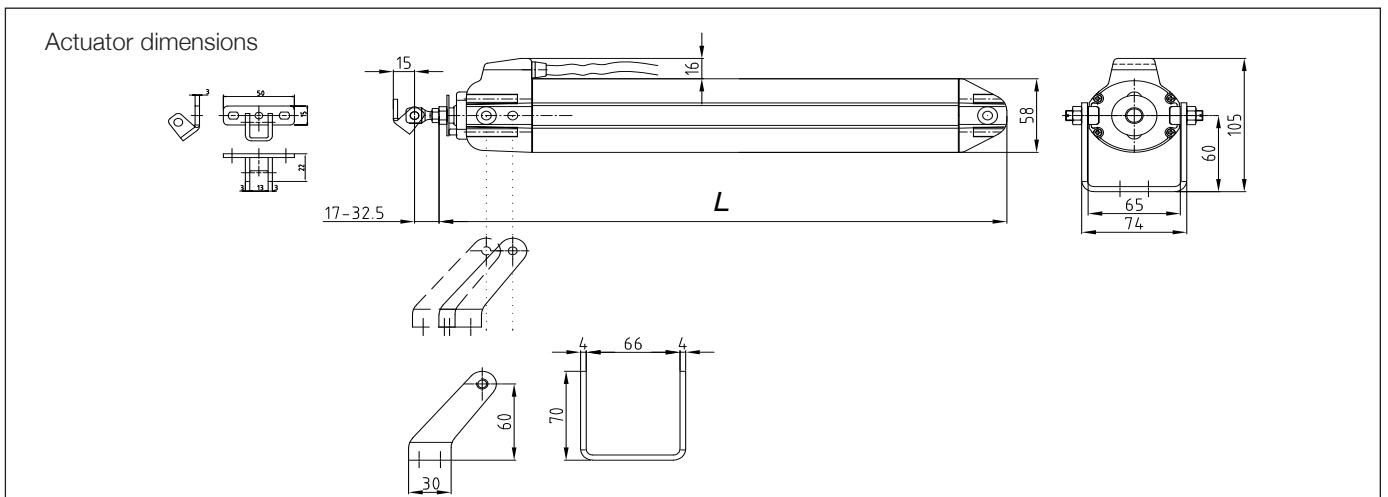


Installation on top hinged window with windowsill with sliding bracket

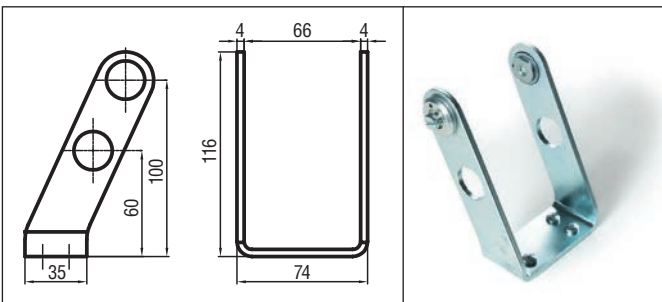


Installation on dome with fixing end brackets

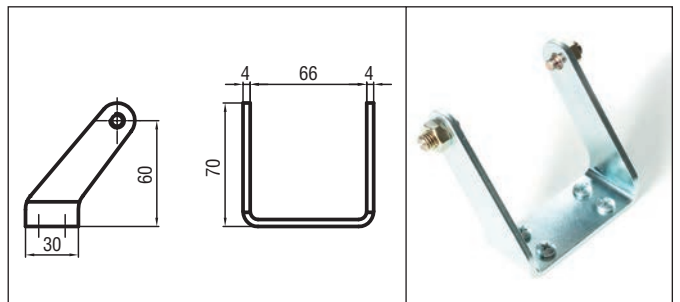
⚠ The instructions for a safe installation are included in the section "SECURITY WARNINGS"



Accessories (can be ordered also separately)



Sliding steel brackets part No. 40536W



Fixing steel end bracket part No. 81559R